



The Perfect Shovel *by* Nordic Plow™



YouTube:
Nordic Perfect
Shovel Features
11414



NORDIC AUTO PLOW LLC • 771 West North Avenue • West Chicago, IL 60185

www.nordicplow.com

Phone: 888 - 662 - 7569 • Fax: 866 - 941 - 6577

Nordic Plow's Perfect Shovel One Year Limited Warranty

For twelve months from the date of purchase, Nordic Auto Plow LLC (Nordic Plow) warrants its products to be free of defects in workmanship and material.

Our shovel is used by homeowners, professional ground crews and landscapers in the most demanding of applications and environments. Under these conditions and over time, the Perfect Shovel may experience normal wear and tear which is not considered a "defect" and is not covered by this warranty. Breakage during use due to excessive force or weight applied to the shovel is not considered a "defect" and is also not covered by this warranty.

How you can get service:

To obtain the benefit of this warranty, deliver via prepaid transportation the complete product to Nordic Plow, 771 W. North Avenue, West Chicago, IL 60185. The warranted product will be repaired or replaced, at Nordic Plow's option, and returned at no charge. Call customer service at 888-662-PLOW(7569) for assistance.

What is not covered:

Nordic Plow's obligations under this warranty are limited to the following guidelines:

- This warranty does not cover units that have been altered / modified or damaged due to: normal wear, improper maintenance, and/or improper use.
- This warranty does not cover surface scratches to the plow, which is considered normal wear.
- This warranty is not transferable or assignable to subsequent purchasers.
- This warranty does not cover liability for damage to property, or injury to, or death of any person arising out of the operation, maintenance or use of the covered product.

Once a shovel is used, it cannot be resold. Thus a restocking fee equal to 20% of the purchase price, plus applicable freight charges, will be assessed for any products returned to the place of purchase, except for those unopened and unused.

EXCEPT AS STATE ABOVE, NORDIC AUTO PLOW LLC MAKES NO OTHER EXPRESS OR IMPLIED WARRANTIES. THE IMPLIED WARRANTIES OF MERCHANTABILITY AND FITNESS FOR A PARTICULAR PURPOSE ARE LIMITED IN DURATION FOR TWELVE MONTHS FROM THE DATE OF PURCHASE. SOME STATES DO NOT ALLOW LIMITATIONS ON HOW LONG AN IMPLIED WARRANTY LAST, SO THE ABOVE LIMITATION MAY NOT APPLY TO YOU.

ANY LIABILITY FOR INDIRECT OR CONSEQUENTIAL DAMAGE ARISING FROM THE FAILURE OF NORDIC AUTO PLOW LLC TO COMPLY WITH THIS WARRANTY OR ANY IMPLIED WARRANTY IS EXCLUDED. CUSTOMER ACKNOWLEDGES THAT THE PURCHASE PRICE CHARGED IS BASED UPON THE LIMITATIONS CONTAINED IN THE WARRANTY SET OUT ABOVE. SOME STATES DO NOT ALLOW THE EXCLUSION OR LIMITATION OF INCIDENTAL OR CONSEQUENTIAL DAMAGES, SO THE ABOVE LIMITATION OR EXCLUSION MAY NOT APPLY TO YOU. THIS WARRANTY GIVES YOU SPECIFIC LEGAL RIGHTS AND YOU MAY ALSO HAVE OTHER RIGHTS WHICH VARY FROM STATE TO STATE.

Nordic Auto Plow LLC, 771 W. North Avenue, West Chicago, IL 60185
www.nordicplow.com T) 888-662-7569 F) 866-941-6577

The Perfect Shovel's unique features include:

- **Adjustable Handle** - attach the grip handles either turned up or turned down depending upon your height. The top cross bar can also be raised higher or lower depending upon your preference.
- **Rounded vs. Sharp Edge** - use the rounded edge for pushing on sidewalks, paver bricks and stone walkways, grass and artificial turf, and tarps.
- **3 Blade Angles** - the blade comes assembled with a 10 degree angle. The block can be removed on one side for no angle or the block can be placed on its side to reduce the angle to 5 degrees.
- **Quick Drift Change** - by pulling back slightly on the handle and then a quick flip of the wrist, you can switch the angle of the blade from right to left.

Operating the Perfect Shovel:

Put the top cross bar at your waist about belt high and lean your weight into the handle. No need to lift or twist - it will be much easier on your back that way. Use the rounded edge whenever you are pushing snow on surfaces with cracks to avoid snagging the sharp edge like traditional shovels.

Instruction Clarification:

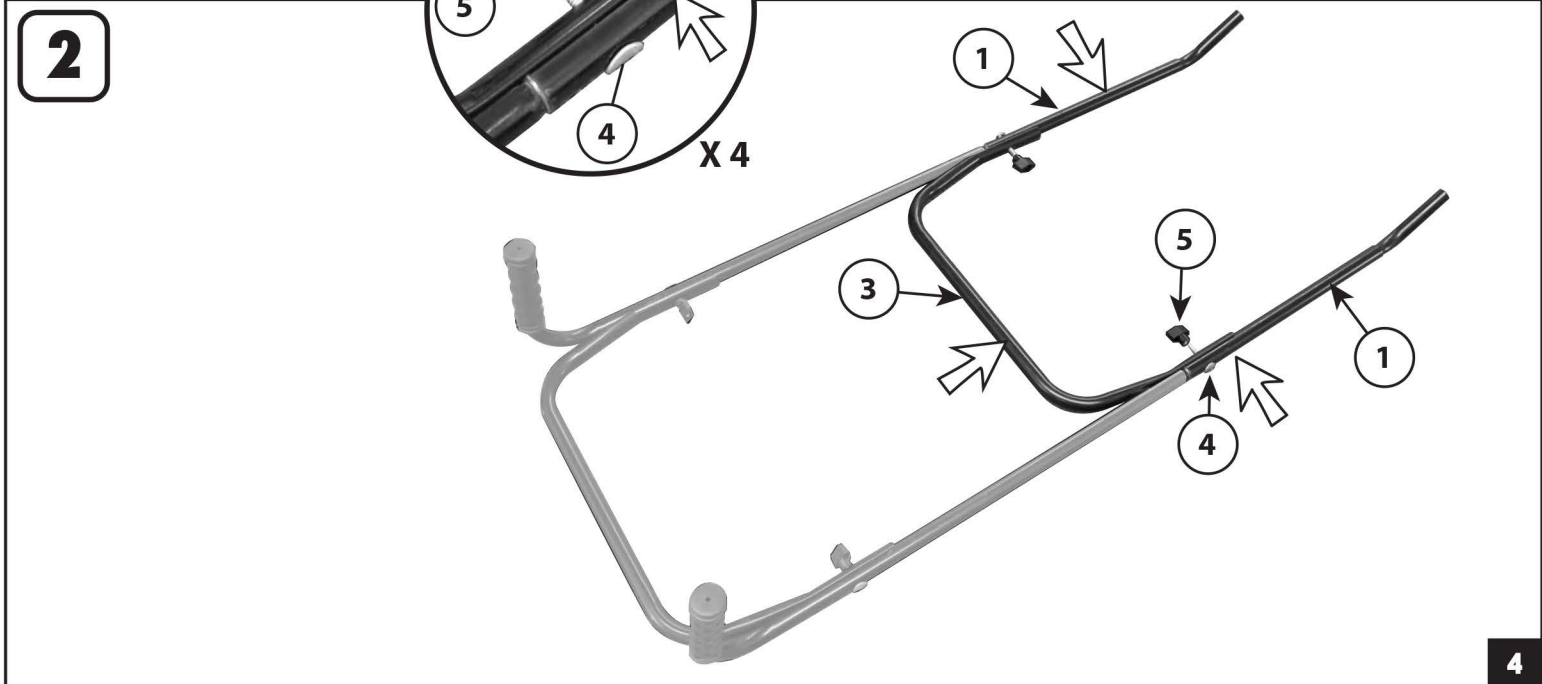
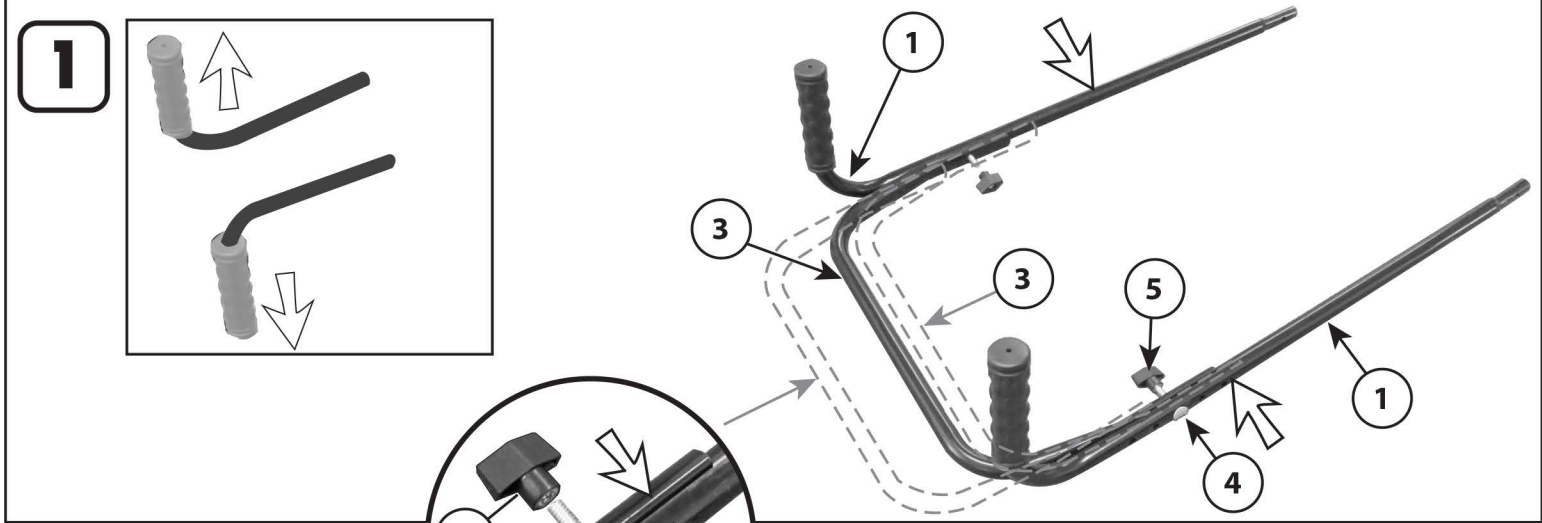
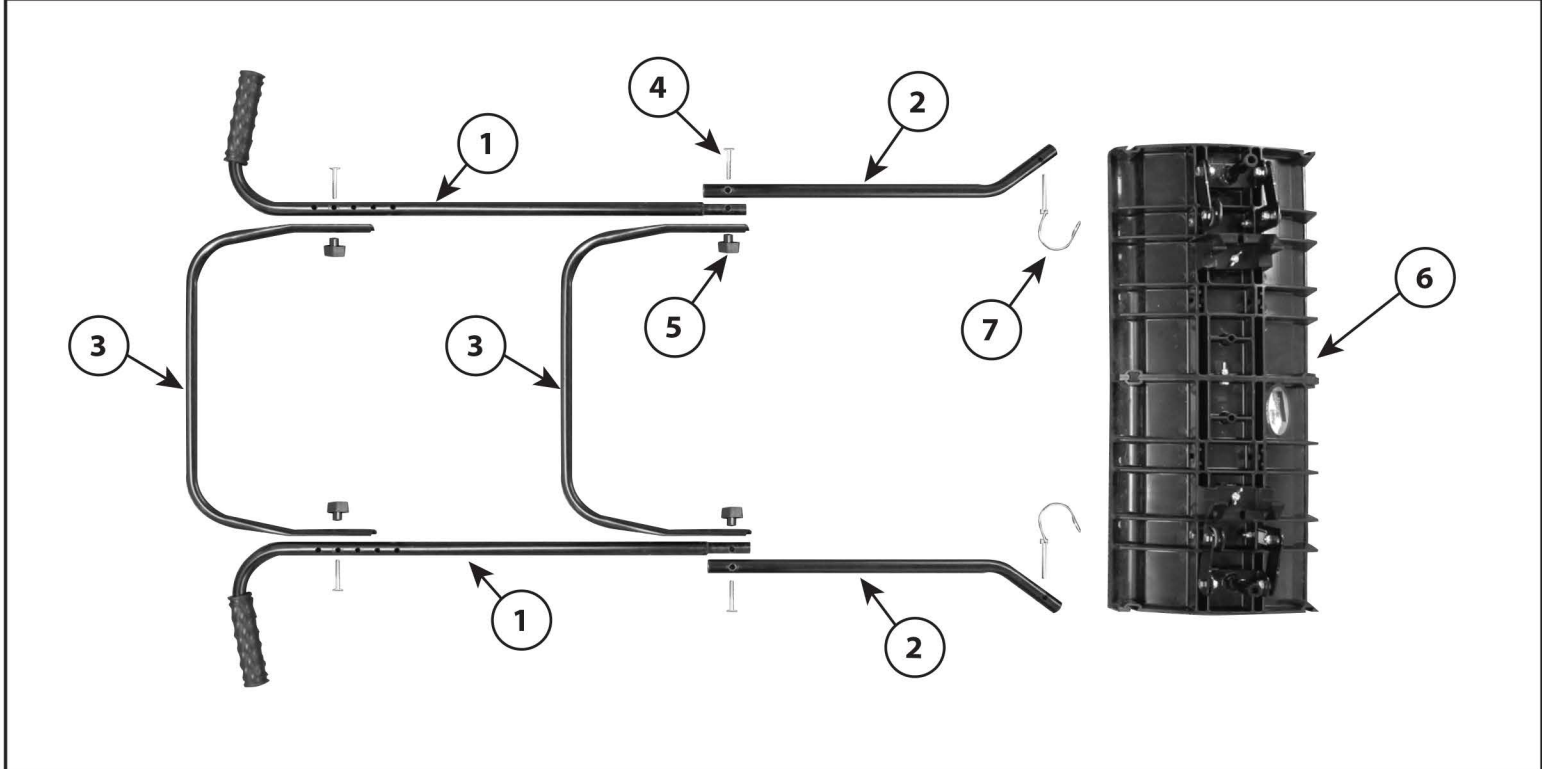
STEP 1: Grips can be pointed facing up or down and the top cross bar (Part #3) can be adjusted up or down to fit the user's height and weight.

STEP 3: Decide if you want rounded edge or sharp edge before attaching handle.

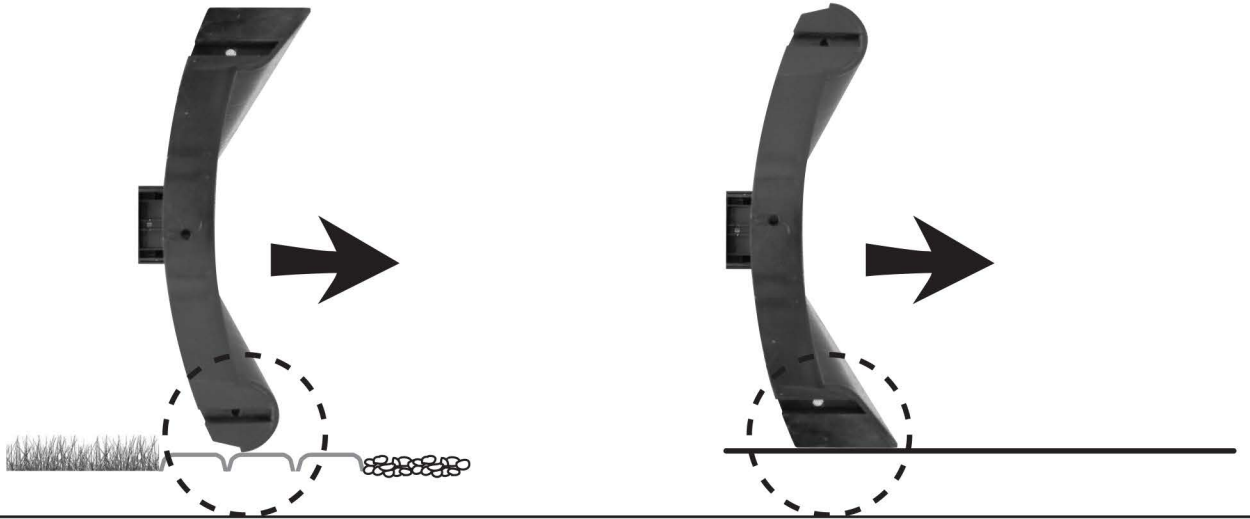
STEP 6: Pull back the handle slightly and then shift to either right or left to change angles.

STEP 7: For a straight push with no angle, remove the block from one side by removing the wing nut and bolt.

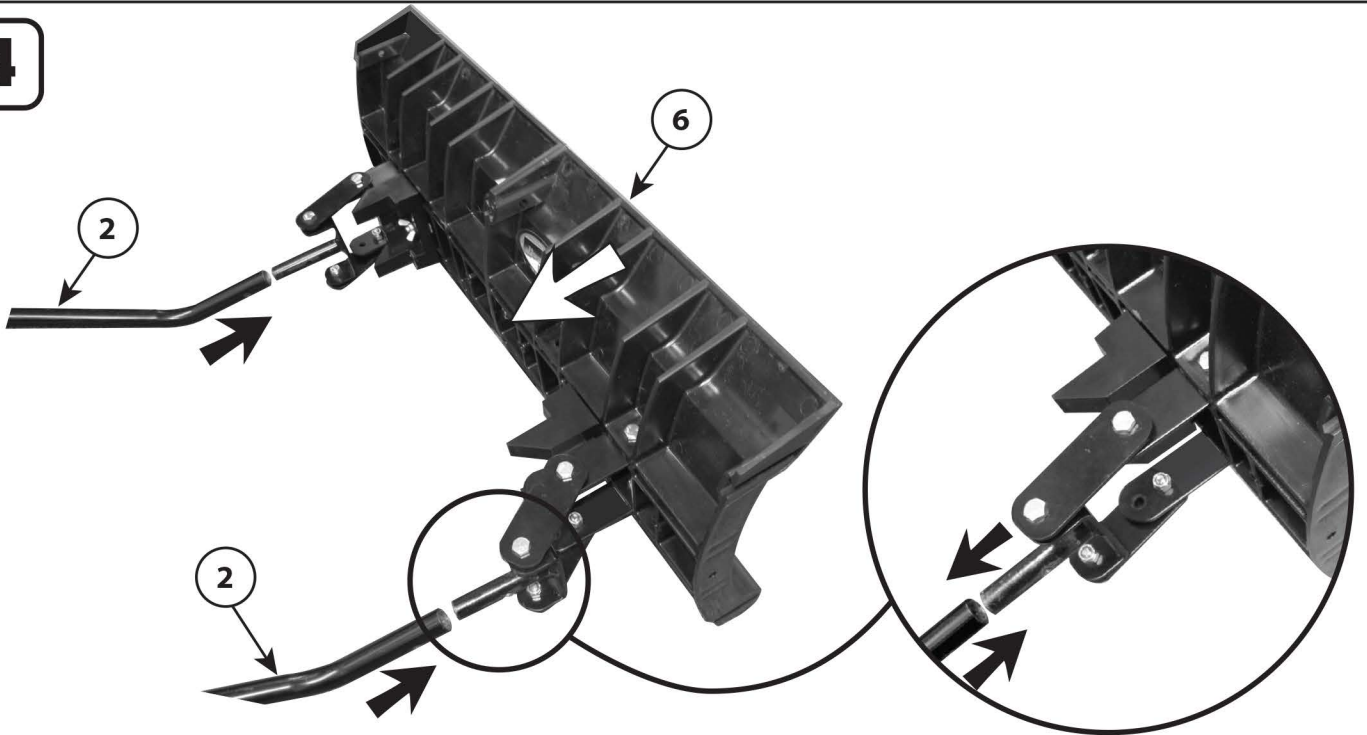
STEP 8: Re-position the block angle as shown to reduce the angle from 10 to 5 degrees. The bolts must be relocated from the lower hole position closer to the blade (currently set for a 10 degree angle) to the upper hole position. Tightened the nut fully, then reduce it a half turn so the plate will glide easily from side to side.



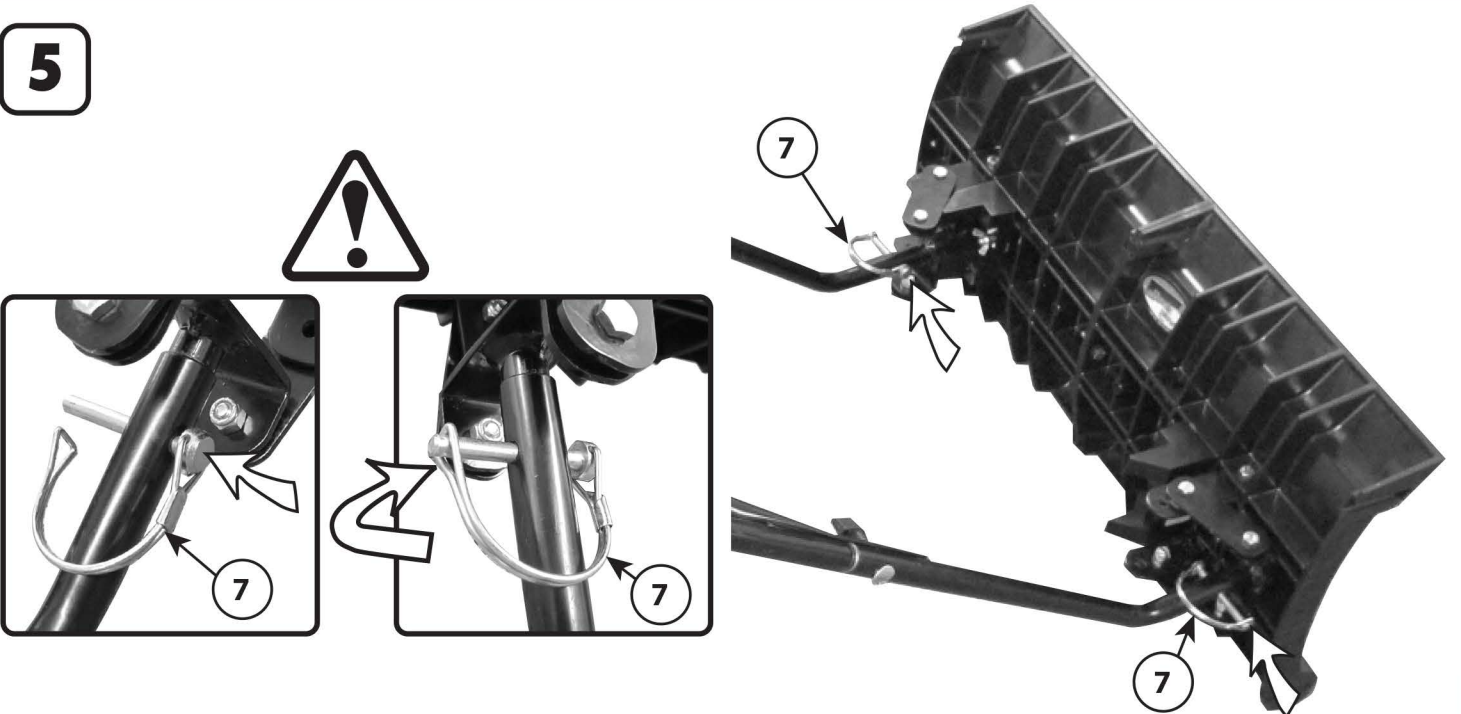
3



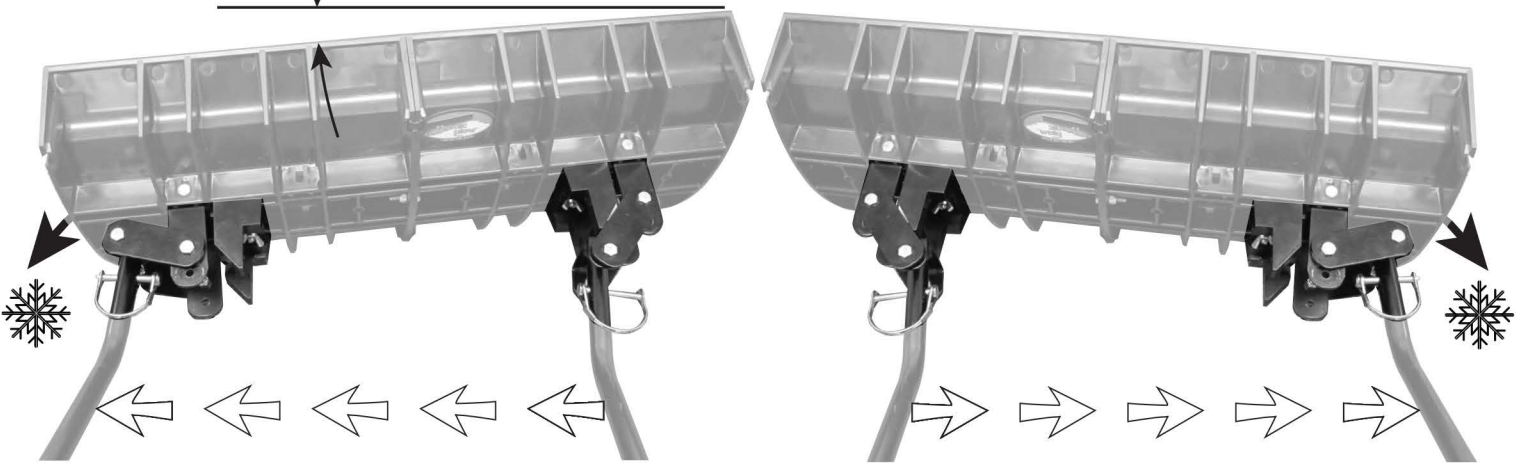
4



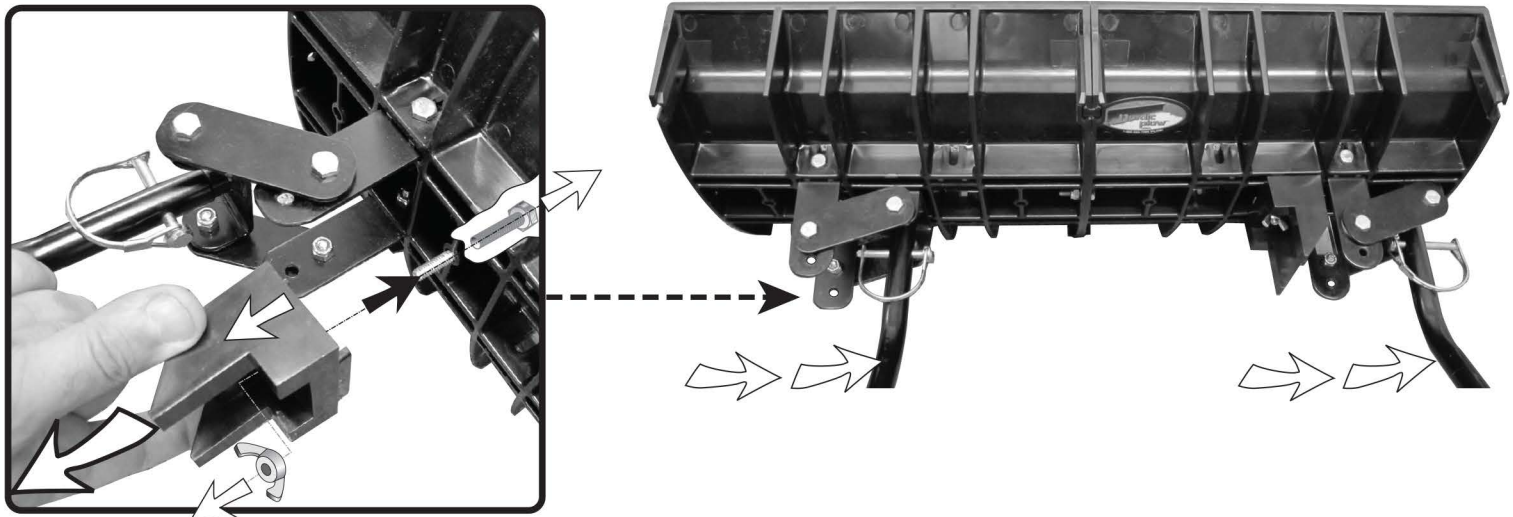
5



6 = 10°



7



8 = 5°

